

Data Sheet

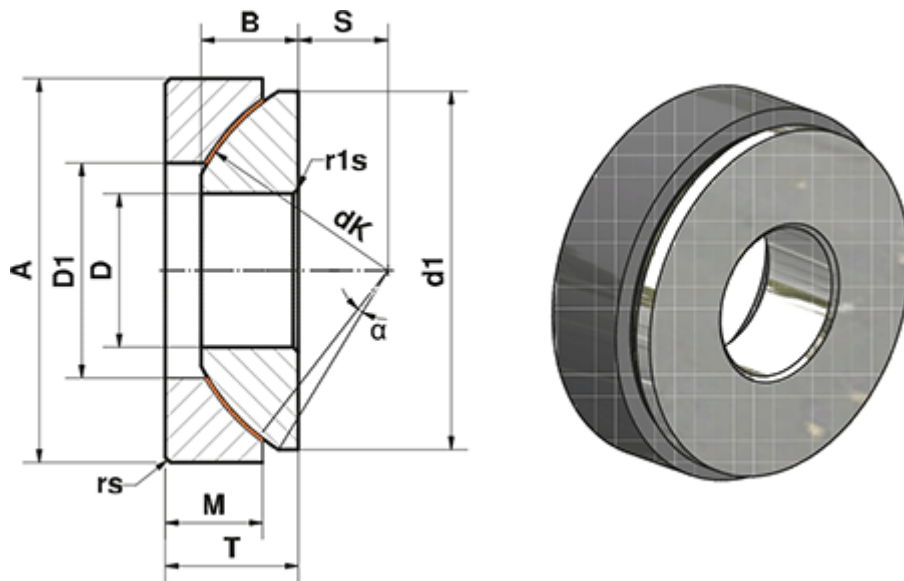


Article number: 03450080

Description: Fluro Heavy Duty Spherical Plain Bearing GE 80 AWE
Hole Ø80

Note: 80

Measures



A	= 180	M	= 38
a (degrees)	= 4	rs, r1s min	= 1
B	= 43.5	S	= 42.5
D	= 80	Static load C0 (kN)	= 5908
D1	= 109	T	= 50
d1 min	= 172	Weight (g)	= 6910
dK	= 197		
Dynamic load C (kN)	= 3545		